



PA402 Pole Mount Adapter



C274M-E (12/05)

Important Safety Instructions

Prior to installation and use of this product, the following WARNINGS should be observed.

1. Installation and servicing should be done only by qualified service personnel and conform to all local codes.
2. Installation shall be done in accordance with all local and national electrical and mechanical codes utilizing only approved materials.
3. Use only installation methods and materials capable of supporting four times the maximum specified load.
4. Use stainless steel hardware to fasten the mount to outdoor surfaces.

Description

The PA402 is a pole mount adapter designed for use with the Spectra®, Legacy®, DF5, and DF8 Series wall mounts. The PA402 will mount to any pole with a 3-inch (7.62 cm) to 8-inch (20.32 cm) diameter. Stainless steel mounting straps are supplied to secure the adapter to the pole.

The PA402 pole mount adapter is designed for the following wall mounts:

- | | |
|------------|---|
| IWM Series | Wall mounts with cable feedthrough for use with Spectra, DF5, or DF8 Series pendant style domes. |
| IDM4018 | Wall mount with removable end cap and cable feedthrough for use with Spectra, DF5, or DF8 Series pendant style domes. |
| LWM41 | Legacy wall mount. For use with Legacy integrated positioning systems. |

Installation

To attach the PA402 pole mount adapter to a pole, perform the following steps:

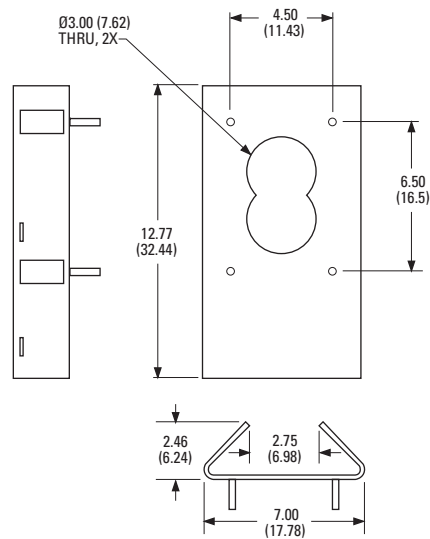
1. Determine the placement of the PA402 on the pole by measuring the height of the CCTV equipment to be mounted.
2. Position the PA402 on the pole and secure with the stainless steel mounting straps (provided).
3. Attach the wall mount to the studs on the PA402 and secure with the nuts and split lock washers (provided).
4. Attach the equipment to the wall mount according to the instructions provided with the mount.

NOTE: Included with the PA402 is a block-off plate with conduit knockouts. It is recommended that the block-off plate be used in outdoor applications. The block-off plate is not needed when using the IWM24 mount.

Specifications

| | |
|---------------------------|--|
| Adapter Mounting | Four 5/16-18 x 1.25-inch studs for attaching mount (nuts and split lock washers provided) |
| Construction | Aluminum, 0.190-inch thick |
| Suggested Mounting Method | Slots are provided to allow the use of straps for mounting to the pole. Three stainless steel straps are provided. |
| Maximum Load | 75 lb (33.75 kg) |
| Finish | Gray polyester powder coat |

(Design and specifications are subject to change without notice.)



NOTE: VALUES IN PARENTHESES ARE CENTIMETERS;
ALL OTHERS ARE INCHES.

PRODUCT WARRANTY AND RETURN INFORMATION

WARRANTY

Pelco will repair or replace, without charge, any merchandise proved defective in material or workmanship **for a period of one year** after the date of shipment.

Exceptions to this warranty are as noted below:

- Five years on FT/FR8000 Series fiber optic products.
- Three years on Genex® Series products (multiplexers, server, and keyboard).
- Three years on Camclosure® and fixed camera models, except the CC3701H-2, CC3701H-2X, CC3751H-2, CC3651H-2X, MC3651H-2, and MC3651H-2X camera models, which have a five-year warranty.
- Three years on PMCL 200/300/400 Series LCD monitors.
- Two years on standard motorized or fixed focal length lenses.
- Two years on Legacy®, CM6700/CM6800/CM9700 Series matrix, and DF5/DF8 Series fixed dome products.
- Two years on Spectra®, Esprit®, ExSite™, and PS20 scanners, including when used in continuous motion applications.
- Two years on Esprit® and WW5700 Series window wiper (excluding wiper blades).
- Two years (except lamp and color wheel) on Digital Light Processing (DLP®) displays. The lamp and color wheel will be covered for a period of 90 days. The air filter is not covered under warranty.
- Eighteen months on DX Series digital video recorders, NVR300 Series network video recorders, Endura™ Series distributed network-based video products, and TW3000 Series twisted pair transmission products.
- One year (except video heads) on video cassette recorders (VCRs). Video heads will be covered for a period of six months.
- Six months on all pan and tilts, scanners or preset lenses used in continuous motion applications (that is, preset scan, tour and auto scan modes).

Pelco will warrant all replacement parts and repairs for 90 days from the date of Pelco shipment. All goods requiring warranty repair shall be sent freight prepaid to Pelco, Clovis, California. Repairs made necessary by reason of misuse, alteration, normal wear, or accident are not covered under this warranty.

Pelco assumes no risk and shall be subject to no liability for damages or loss resulting from the specific use or application made of the Products. Pelco's liability for any claim, whether based on breach of contract, negligence, infringement of any rights of any party or product liability, relating to the Products shall not exceed the price paid by the Dealer to Pelco for such Products. In no event will Pelco be liable for any special, incidental or consequential damages (including loss of use, loss of profit and claims of third parties) however caused, whether by the negligence of Pelco or otherwise.

The above warranty provides the Dealer with specific legal rights. The Dealer may also have additional rights, which are subject to variation from state to state.

If a warranty repair is required, the Dealer must contact Pelco at (800) 289-9100 or (559) 292-1981 to obtain a Repair Authorization number (RA), and provide the following information:

1. Model and serial number
2. Date of shipment, P.O. number, Sales Order number, or Pelco invoice number
3. Details of the defect or problem

If there is a dispute regarding the warranty of a product which does not fall under the warranty conditions stated above, please include a written explanation with the product when returned.

Method of return shipment shall be the same or equal to the method by which the item was received by Pelco.

RETURNS

In order to expedite parts returned to the factory for repair or credit, please call the factory at (800) 289-9100 or (559) 292-1981 to obtain an authorization number (CA number if returned for credit, and RA number if returned for repair).

All merchandise returned for credit may be subject to a 20% restocking and refurbishing charge.

Goods returned for repair or credit should be clearly identified with the assigned CA or RA number and freight should be prepaid. Ship to the appropriate address below.

If you are located within the continental U.S., Alaska, Hawaii or Puerto Rico, send goods to:

Service Department
Pelco
3500 Pelco Way
Clovis, CA 93612-5699

If you are located outside the continental U.S., Alaska, Hawaii or Puerto Rico and are instructed to return goods to the USA, you may do one of the following:

If the goods are to be sent by a COURIER SERVICE, send the goods to:

Pelco
3500 Pelco Way
Clovis, CA 93612-5699 USA

If the goods are to be sent by a FREIGHT FORWARDER, send the goods to:

Pelco c/o Expeditors
473 Eccles Avenue
South San Francisco, CA 94080 USA
Phone: 650-737-1700
Fax: 650-737-0933

REVISION HISTORY

| Manual # | Date | Comments |
|----------|-------|---|
| C274M-C | 10/99 | Revised to new format. Removed all references to WM4000 and SPA402. |
| C274M-D | 1/03 | Updated to include IWM, and IDM4018 mounting options. |
| C274M-E | 12/05 | Revised to new format. Updated pole diameter for stainless steel mounting straps per CAR 05-0928. |

Pelco, the Pelco logo, Camclosure, Coaxitron, Esprit, Genex, Legacy, and Spectra are registered trademarks of Pelco.
Endura and ExSite are trademarks of Pelco.
DLP is a registered trademark of Texas Instruments, Inc.

©Copyright 2005, Pelco. All rights reserved.

Worldwide Headquarters • 3500 Pelco Way • Clovis, California 93612 USA • www.pelco.com
USA & Canada • Tel: 800/289-9100 • Fax: 800/289-9150
International • Tel: 1-559/292-1981 • Fax: 1-559/348-1120